

MONTAGEANLEITUNG: 70-331 V05 000918

NetWork.

Bitte sorgfältig aufbewahren!

ASSEMBLY INSTRUCTIONS 70-331 V05 000918

NetWork


Please store this document in a safe place!

Contents.

1.	General note on safety	2
2.	General information	3
3.	Assembling the dismantled table	3
4.	Mounting the add-on table and hanging and shaped leaves	4
5.	Aligning the table	5
6.	Accessories	6
6.1	Support leg	6
6.2	Angle contact leaves	6
6.3	90° corner closer	6
6.4	Mounting lower panels	7
6.5	Panels	8
6.6	Panels with shelves	8
6.7	CPU grill, CPU bracket	9
6.8	CPU slot-in shelves	9
6.9	Docking lectern	9
7.	Electrification	10
7.1	Mesh cable tray	10
7.2	Quadruple socket-outlet	10
7.3	Strain-relief device	10
7.4	Vertical cable chain	10
7.5	Plastic cable guide	11
7.6	Quadruple socket-outlets	11
7.7	Strain-relief device	11
7.8	Vertical cable guide	11

1. General note on safety:

2 We use the following symbols and notes in our instruction
3 documents:

4  **Important!** This symbol refers to an important note on
5 assembly.

6  **Caution!** This symbol refers to a
6 very important note.

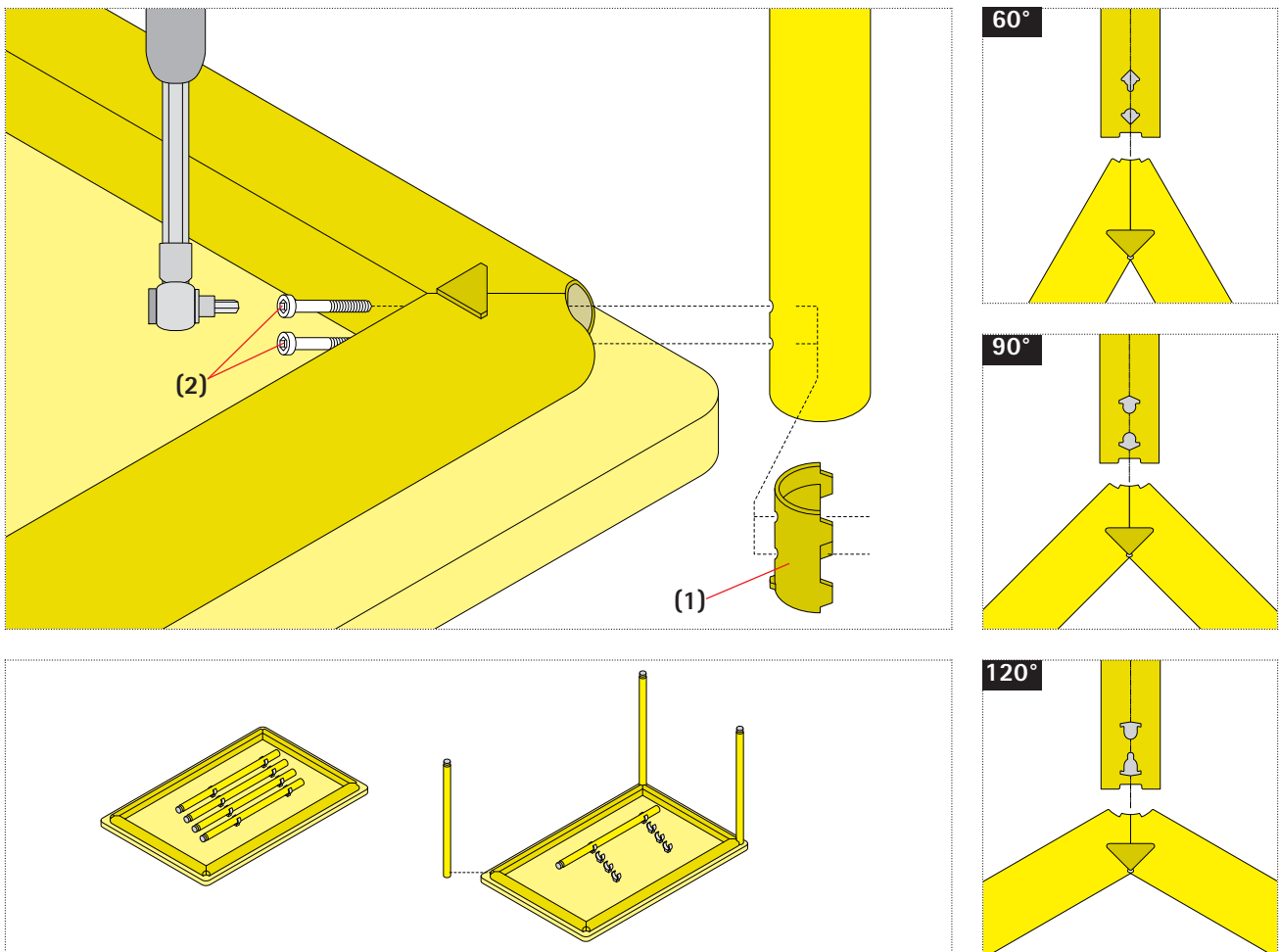
Disposal:

8 The indicated electric and electronic components must not
8 be disposed of with the ordinary waste.

9 They must be removed from the furniture unit
9 before the unit is sent for disposal.

9 They are to be disposed of at authorized collection
and return points.





2. General information.

Before commencing assembly.

Check whether the supplied parts correspond to those in the assembly/delivery notes (and drawings) and whether they have been damaged during transportation. If you are unable to erect the furniture correctly, please contact the Customer Service department at VS Head Office.

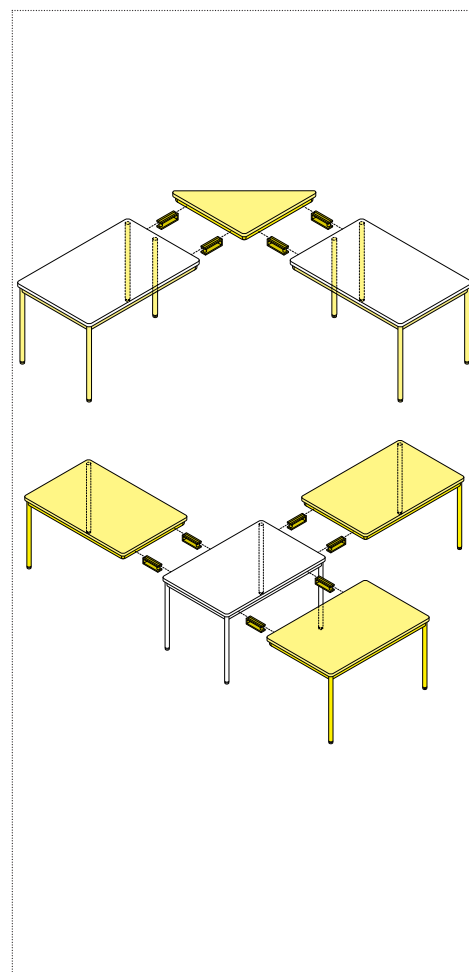
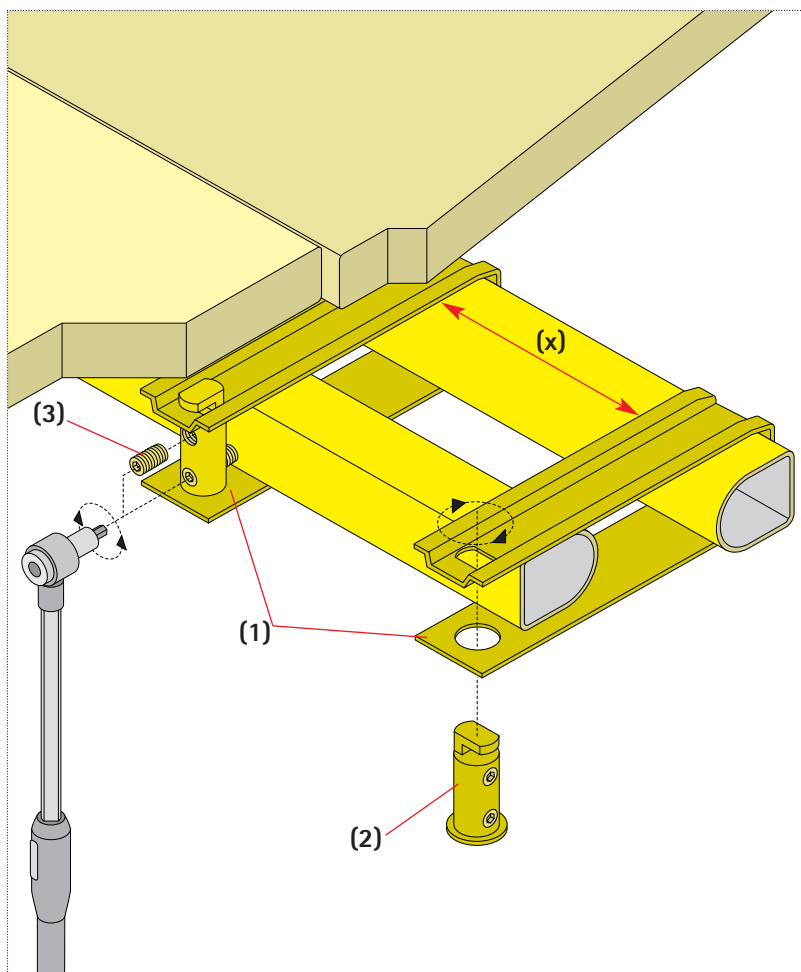
After completing assembly.

Remove all visible and function-impairing labels and stickers from the furniture and if possible move them to a non-visible position. Remove protective plastic film and packaging materials. Clean the furniture. Remove and dispose of accrued waste in an approved manner. Any difficulties and problems must be carefully documented and reported back to the VS Customer Service department in Tauberbischofsheim. Make a record of all additional work and have this confirmed by a responsible person (installation record).

3. Assembling the dismantled table.

Mounting the 60°, 90° and 120° table legs.

Lay the table top on two trestles. Remove the adhesive tape from the table legs. Place threaded pieces (castings) (1) into the table-top openings. Screw all four table legs with M 6x55 socket-head cap screws (5 mm A/F Allen key) (2) into the corner positions (15 Nm). In so doing, make sure the foot snaps precisely into place in the frame angle. Rectangular tables: 4x 90° table legs. Wedge-shaped tables: 3x 90° + 1x 60° table legs. Trapezoidal tables: 2x 60° + 2x 120° table legs. Turn the table over and stand it on its legs.



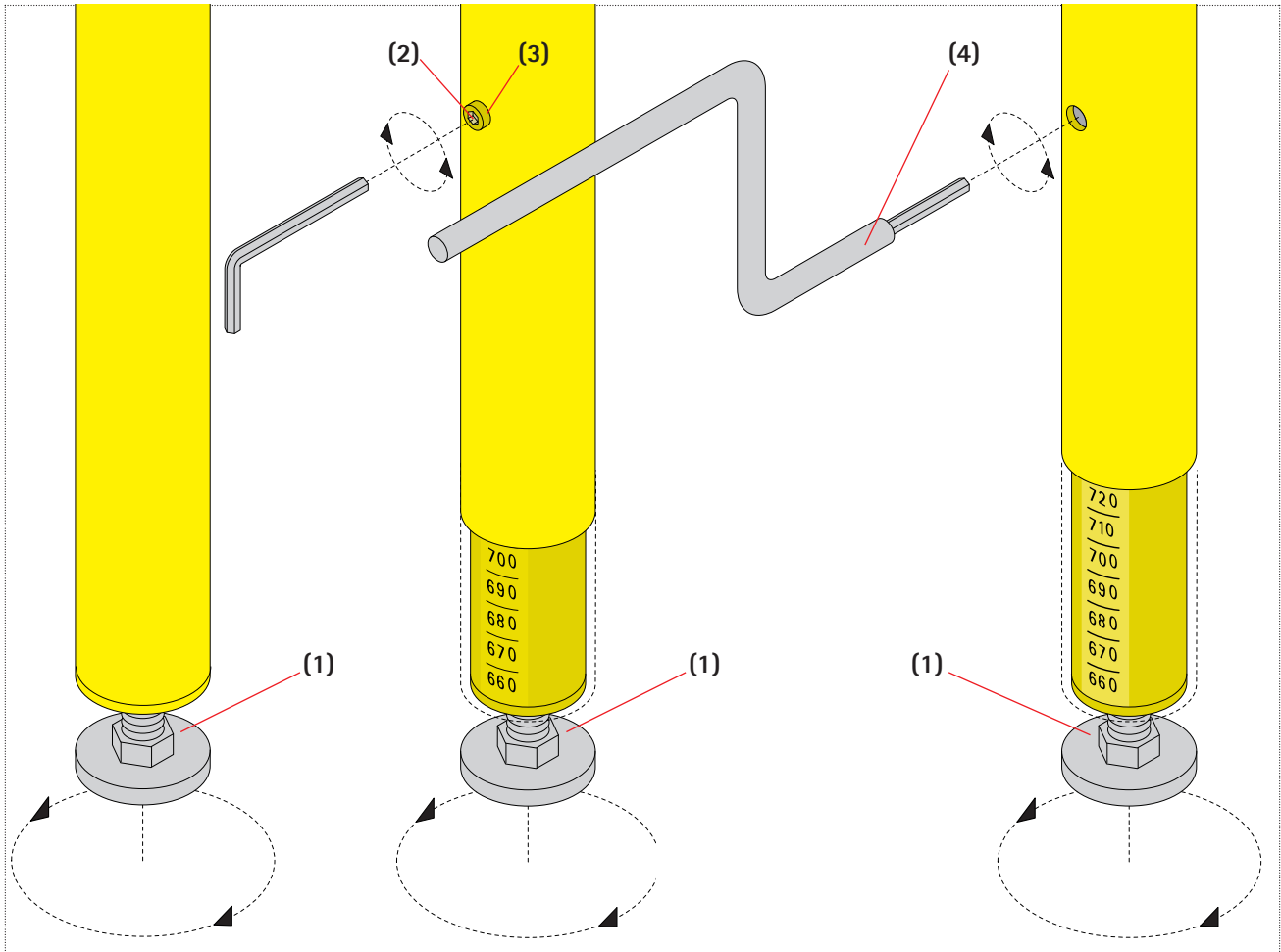
4. Mounting the add-on table and hanging and shaped leaves

Mounting the add-on table.

Assemble the basic tables. Slide in two table connectors (1) from the inner side of the add-on table between the table top and the frame. In so doing, make sure the spacing (x) is as large as possible. Push the two tables tightly together. Slide clamping block (2) through the two openings and turn through 90°. Tighten clamping screws (3) with the Allen key.

Mounting the hanging and shaped leaves between tables.

Proceed as described for the add-on table, but now on both sides. During joining to the first table, the leaves must be placed on the opposite side on a trestle or a second fitter must hold the leaf.



5. Aligning the table

Tables with adjustable foot.

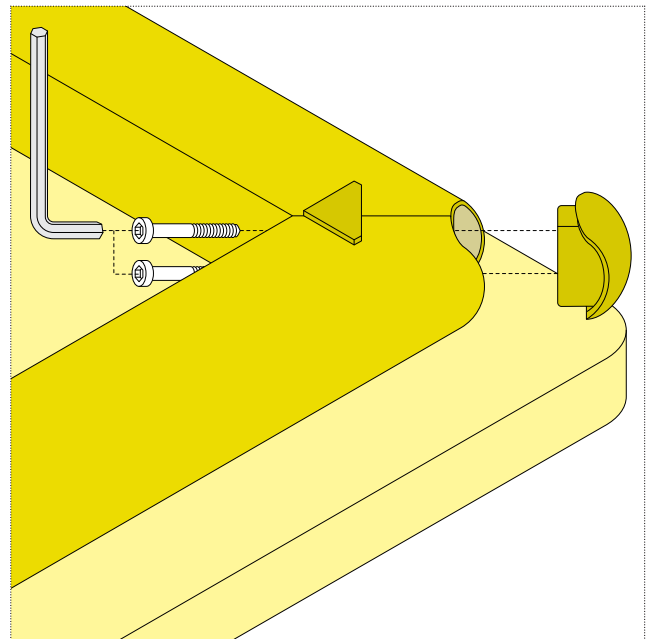
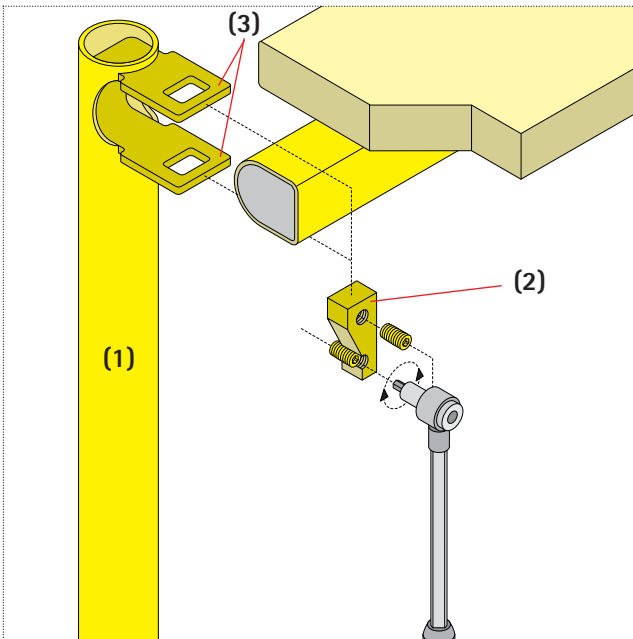
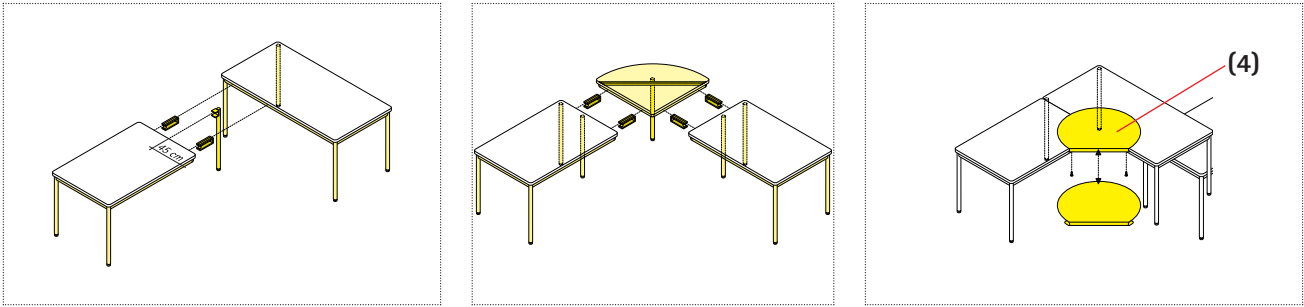
Align the table horizontally at the adjustable glide element **(1)**. Lift the table to turn the adjustable glide element by hand (approx. 10 mm vertical travel).

Tables with adjustable foot and grid height adjustment.

For grid height adjustment, the locking screw in the table leg **(2)** must be released with a 5 mm Allen key, model no. 21495. Press on button **(3)** to pull out/push in the inner tube further. After this coarse adjustment, secure the locking screw in the table leg again with the Allen key. Turn adjustable glide element **(1)** (approx. 10 mm vertical travel) to carry out horizontal fine adjustment of the table.

Tables with adjustable foot and crank height adjustment.

Adjust the height of the table by inserting and turning crank handle **(4)**. The adjusted height can be read off on the measurement scale on the inner tube. Turn adjustable glide element **(1)** (approx. 10 mm vertical travel) to carry out horizontal fine adjustment of the table.



6. Accessories

6.1 Support leg

Engage support leg (1) 45 cm from the front edge (user side) of the table over the table frame. Insert clamping block (2) through the two openings (3) and uniformly tighten the two clamping screws with the 5 mm Allen key, model no. 21495.

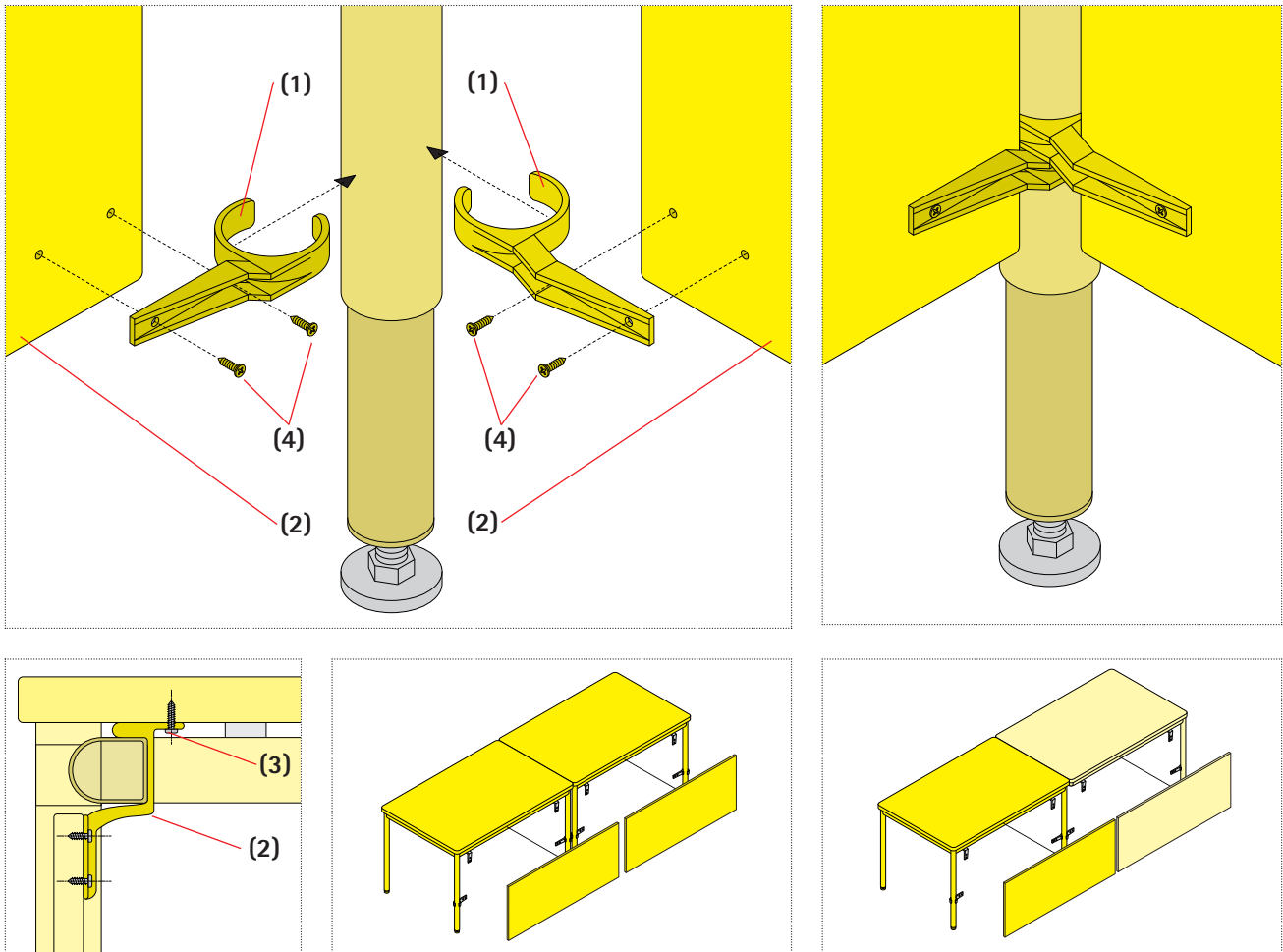
Caution! The foot must stand perpendicularly.

6.2 Angle contact leaves

Slide angle contact leaves (4), model no. 21398, onto the table tops.

6.3 90° corner closer

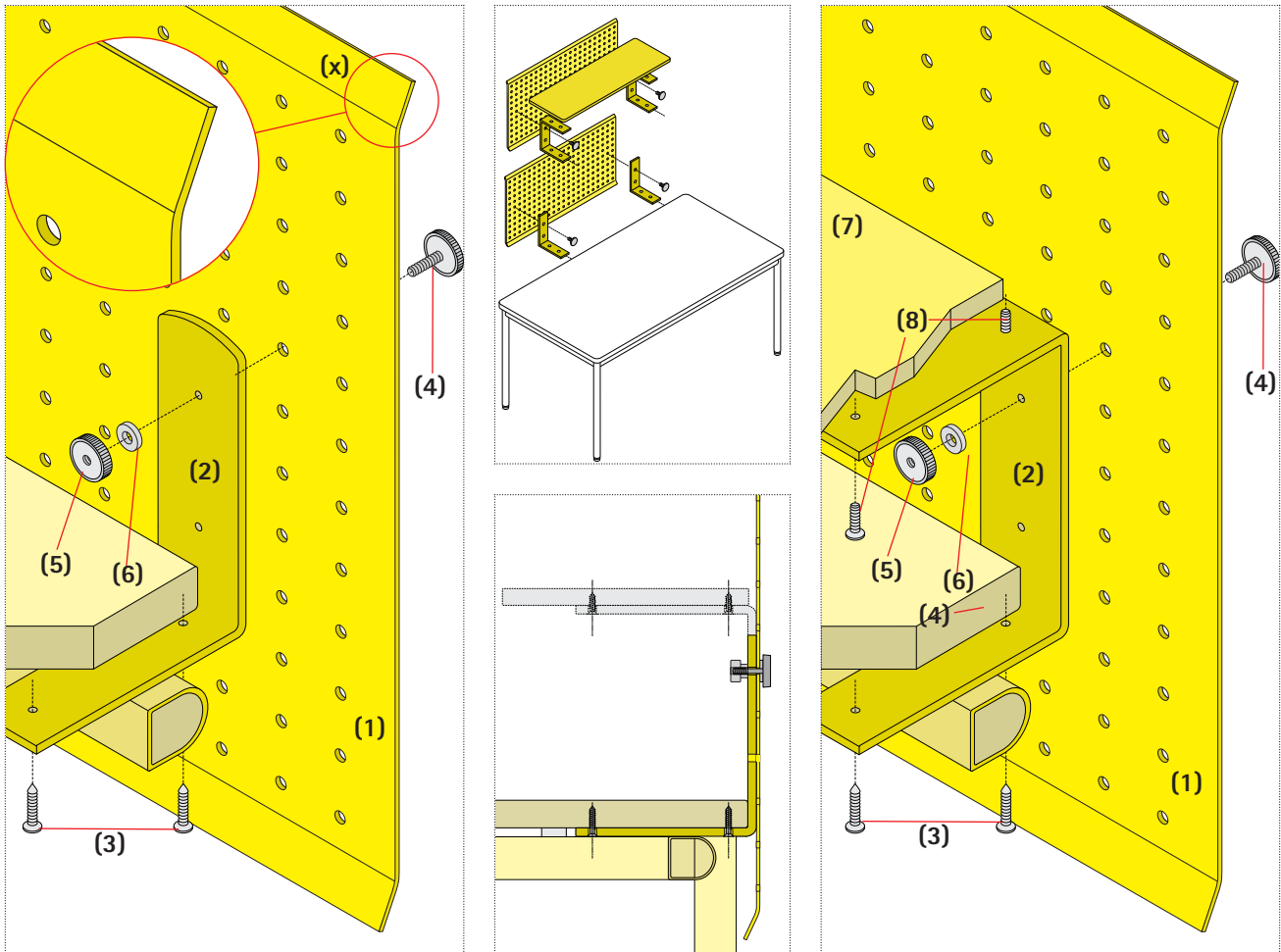
If a table leg is replaced by a support leg, a corner closer must be screwed on with two 6x40 mm socket-head cap screws (5 mm A/F Allen key).



6.4 Mounting lower panels

Clip retainers (1) for the panels to the table leg. Engage the panel holder with panel (2) from the inside on the frame. Align the panel centrally between the table legs and screw down the panel holders to the table top with a 5x20 mm Spax screw (3). Screw the retainer (1) with 6.3x15 mm Euro screws (4) into the holes in the panel predrilled 50 mm from the panel edge.

Important! Panels on tables, add-on tables and hanging leaves differ in width. They have their own model numbers.



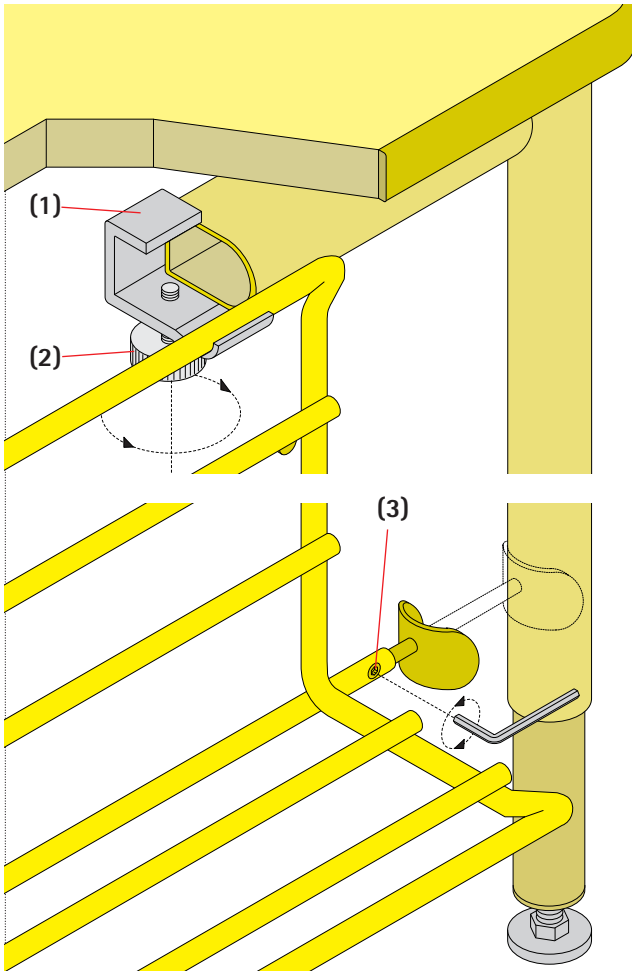
6.5 Panels

Perforated-sheet panels.

The upper bevel of panel (1) points as standard outwards away from the table (detailed view (x)). Screw the outer panel to panel bracket (2) in the top bore hole with an M6x30 mm knurled screw (4) from the outside and with a 20x6.4x3 mm knurled screw (5) plus washer (6) from the inside. The height position is dependent on the row of holes. Slide the panel bracket to the desired position between table and frame and screw from below to the table with 5x25 mm chipboard screws (3).

6.6 Panels with shelves.

Secure the shelf to the U-shaped shelf bracket (7) with two 6.3x19 mm Euro screws (8) in each case. Screw the outer panel (1) to panel bracket (2) in the top bore hole with an M6x30 mm knurled screw (4) from the outside and with a 20x6.4x3 mm knurled screw (5) plus washer (6) from the inside. The height position is dependent on the row of holes. Slide the panel bracket to the desired position between table and frame and screw from below to the table with 5x25 mm chipboard screws (3).



6.7 CPU grill, CPU bracket

Hang the CPU grille or CPU bracket from fixtures (1). Secure the fixtures from the inside to the frame at a distance of approx. 450 mm with M6x20 mm knurled screws (2). Release clamping element (3) on the CPU grill. Pull out the grill locator on both sides up to the table leg and resecure the screws on the clamping element (3 mm Allen key).

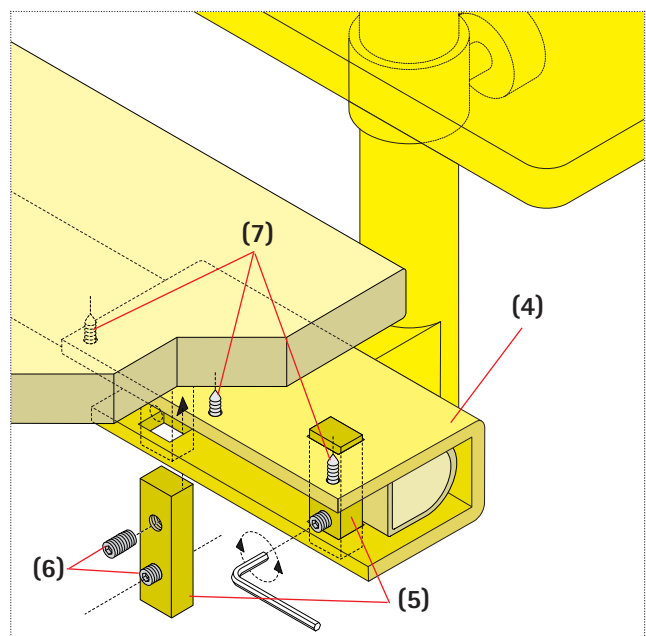
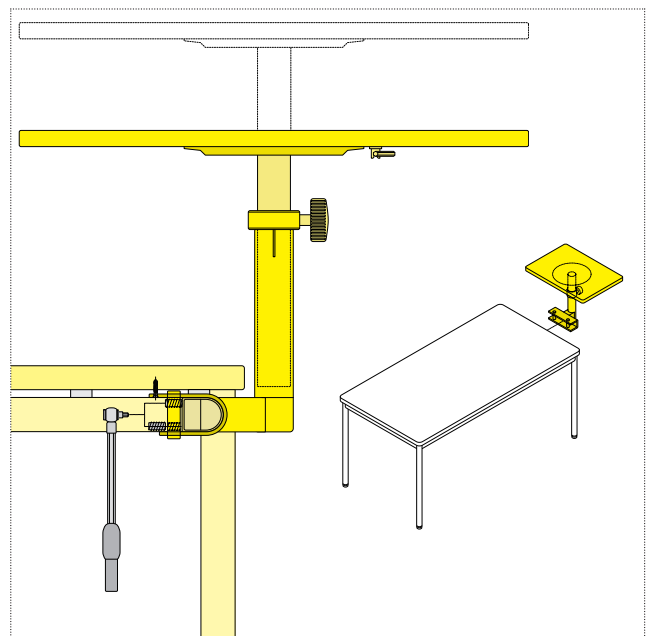
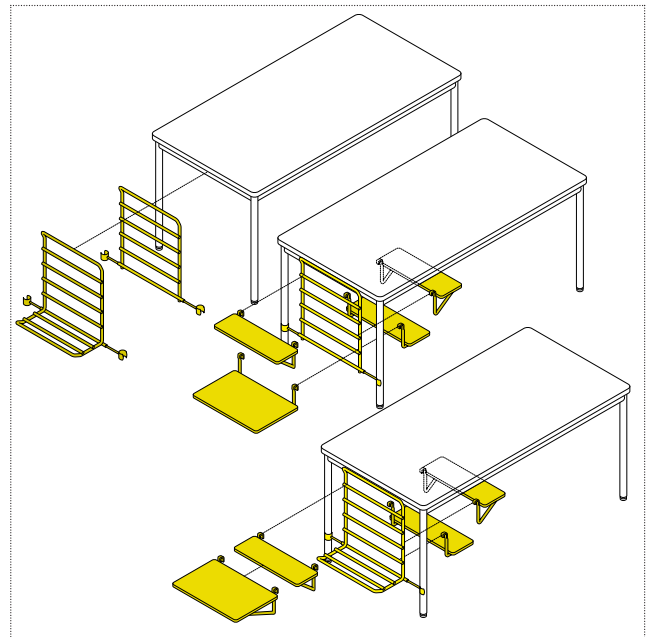
Important! The CPU bracket can be mounted facing outwards or inwards.

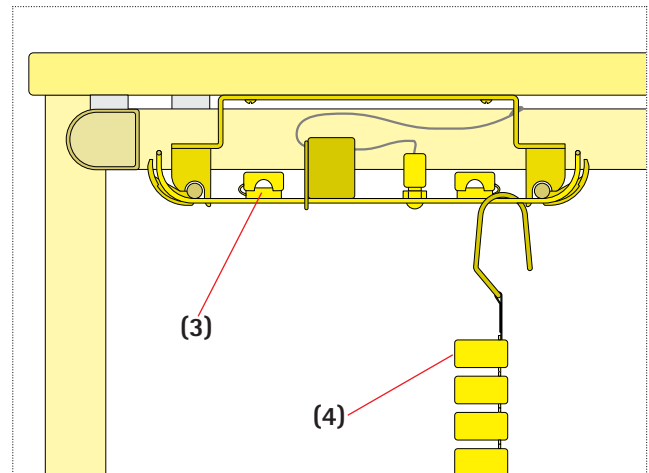
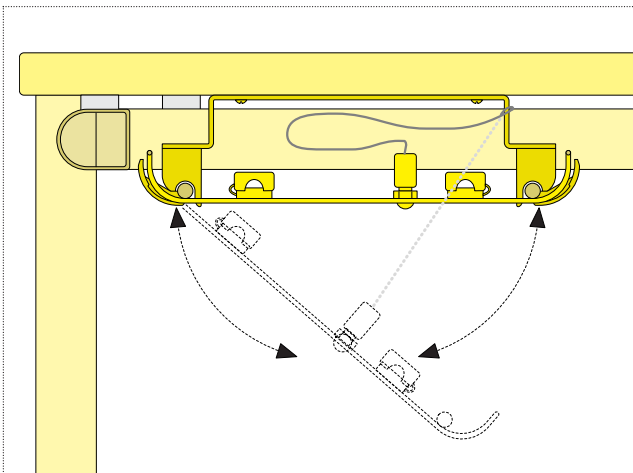
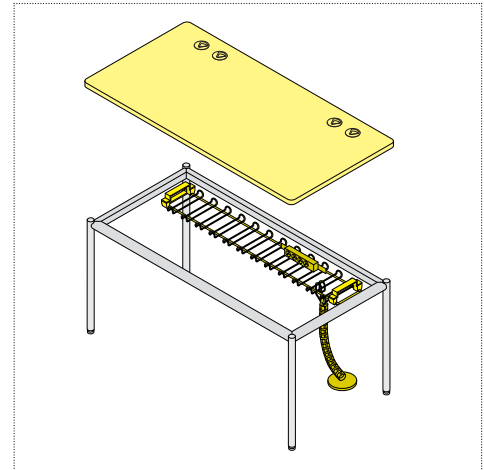
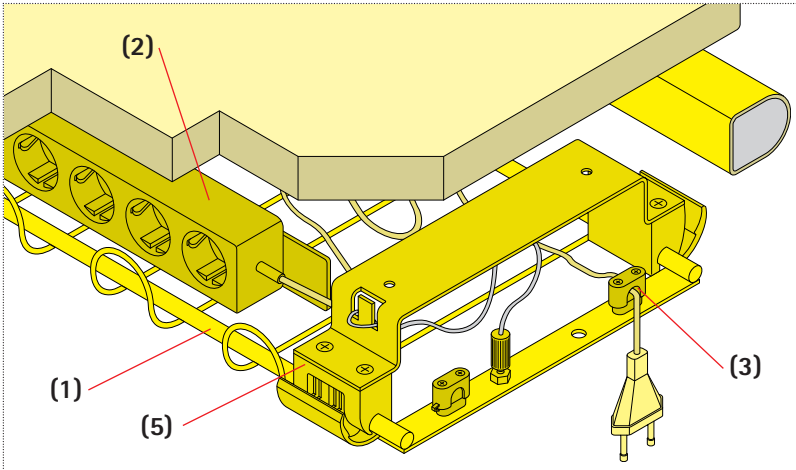
6.8 CPU slot-in shelves

Engage slot-in shelves in the desired position.

6.9 Docking lectern

Attach the docking lectern in the desired position on the table frame. Engage clamping blocks (4) from below through the openings in the link (5). In each case tighten the two grub screws (6) with an Allen key. Conclude by securing with three chipboard screws (7).





7. Electrification

7.1 Mesh cable tray

The mesh cable tray (1) is mounted at the factory and can be folded down on both sides by opening the retaining clips (5).

7.2 Quadruple socket-outlet

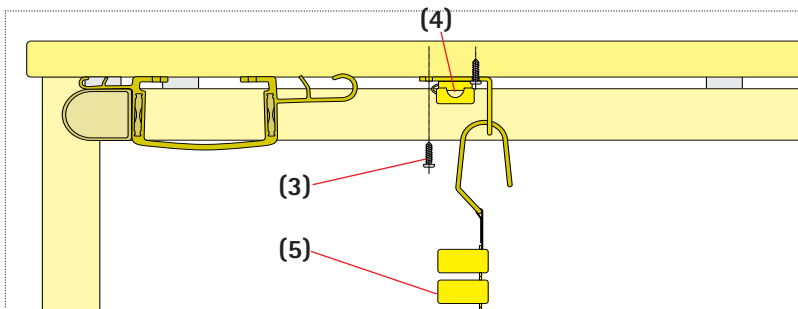
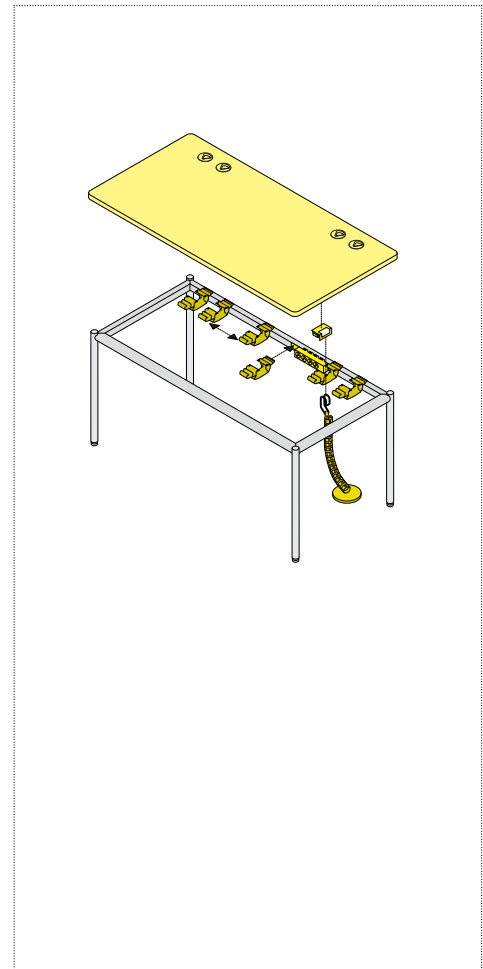
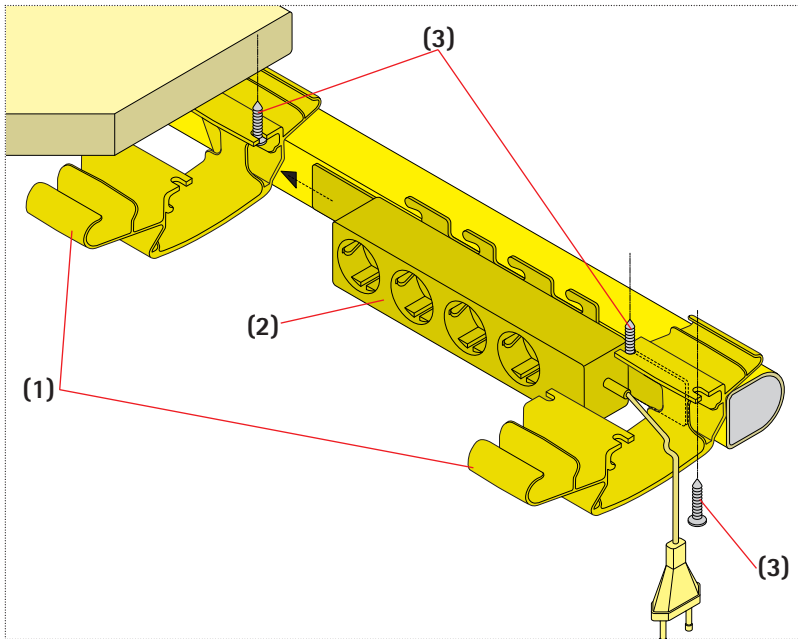
Connect quadruple socket-outlets (2) to the mesh of the cable tray.

7.3 Strain-relief device

If quadruple sockets are in place, screw the cable to the strain-relief device (3) of the mesh cable tray.

7.4 Vertical cable chain

Suspend the vertical cable guide (4) from the mesh of the cable tray.



7.5 Plastic cable guide

Plastic cable guides (1) are mounted or subsequently attached.

7.6 Quadruple socket-outlets

Attach quadruple socket-outlets (2) between two plastic cable guides and screw the plastic cable guides to the table top with 5x20 mm Spax screws (3).

7.7 Strain-relief device

If quadruple sockets are in place, screw the cable to the strain-relief device (4) of the strain-relief plate.

7.8 Vertical cable guide

<http://www.vs-service.com/postbox/vswerb/Export-Jakobs-MoebelGruppen-DA-10-04-2015.zip> Spax screws (3) and suspend the vertical cable guide (5).